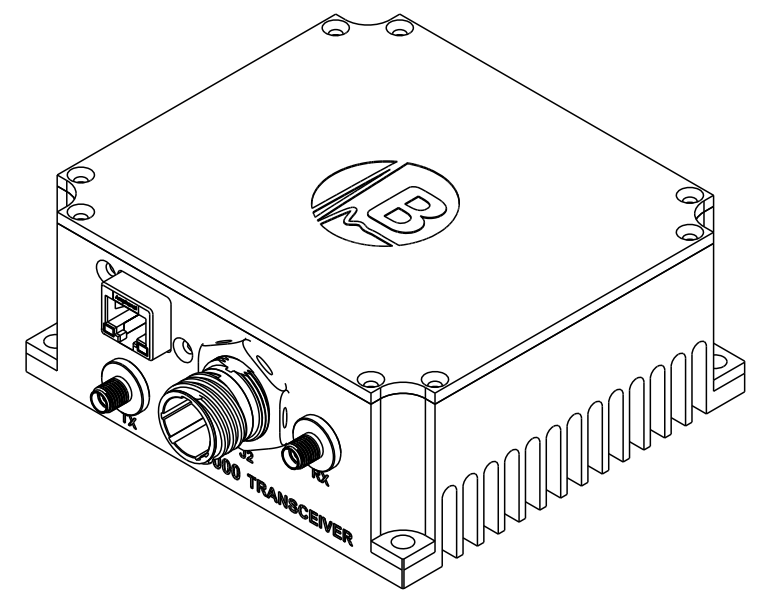
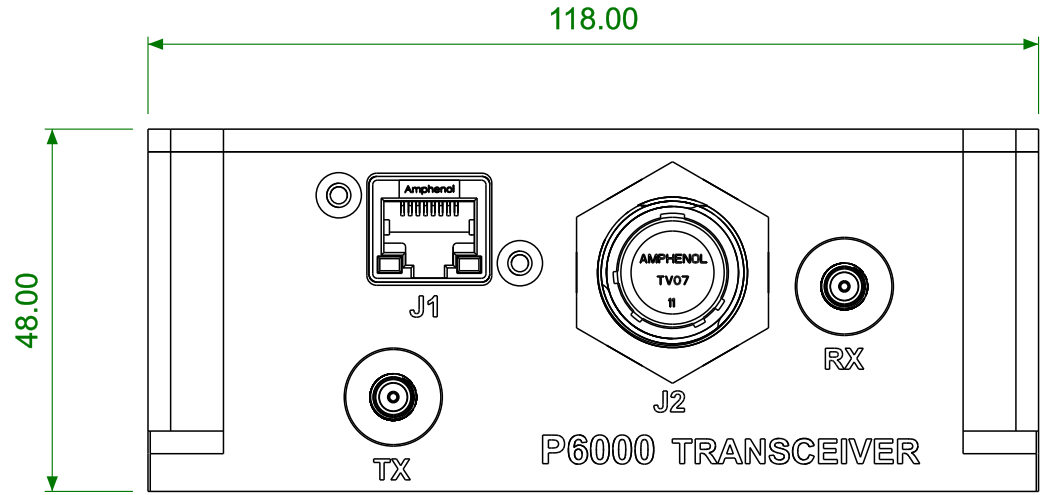
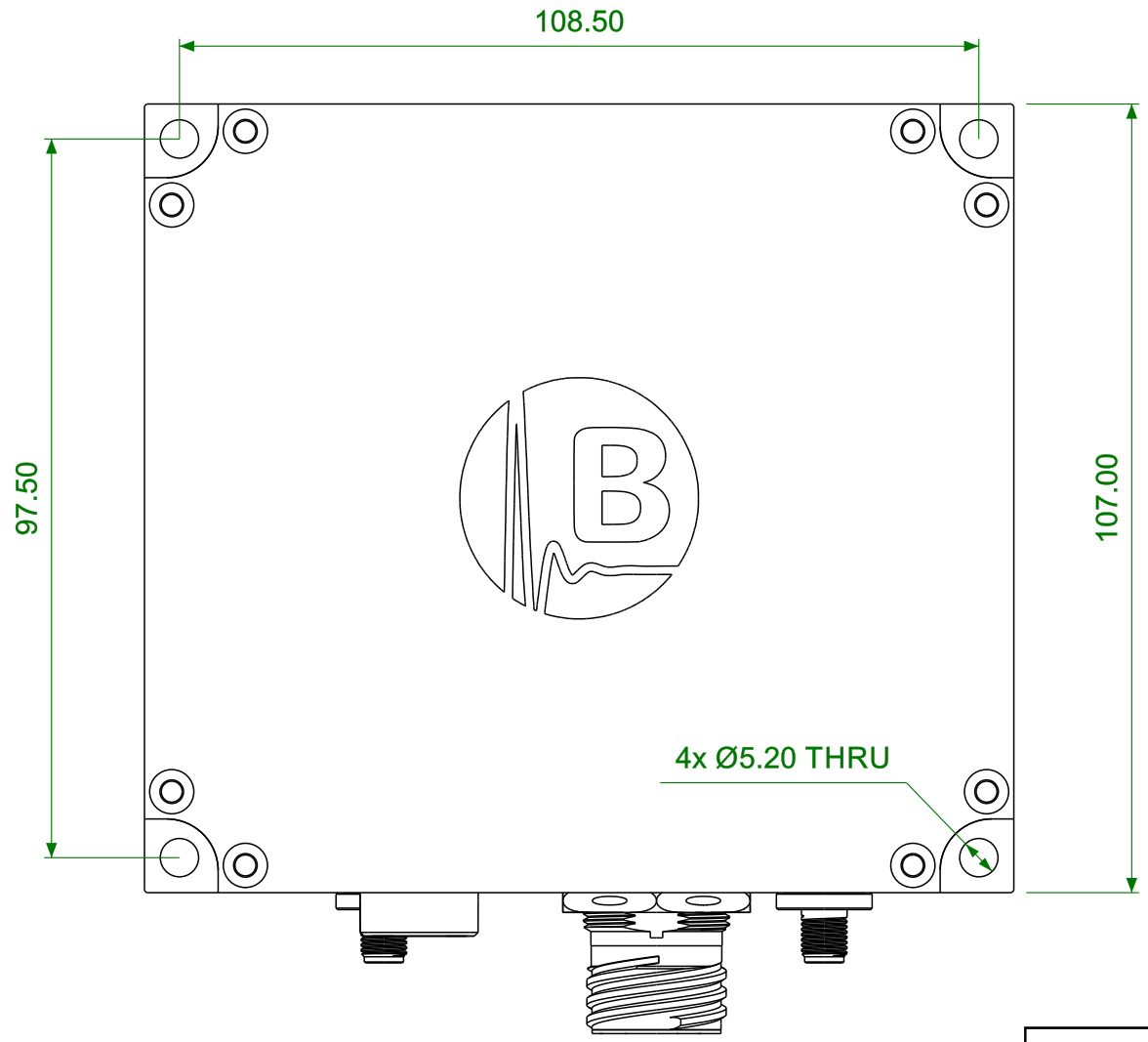
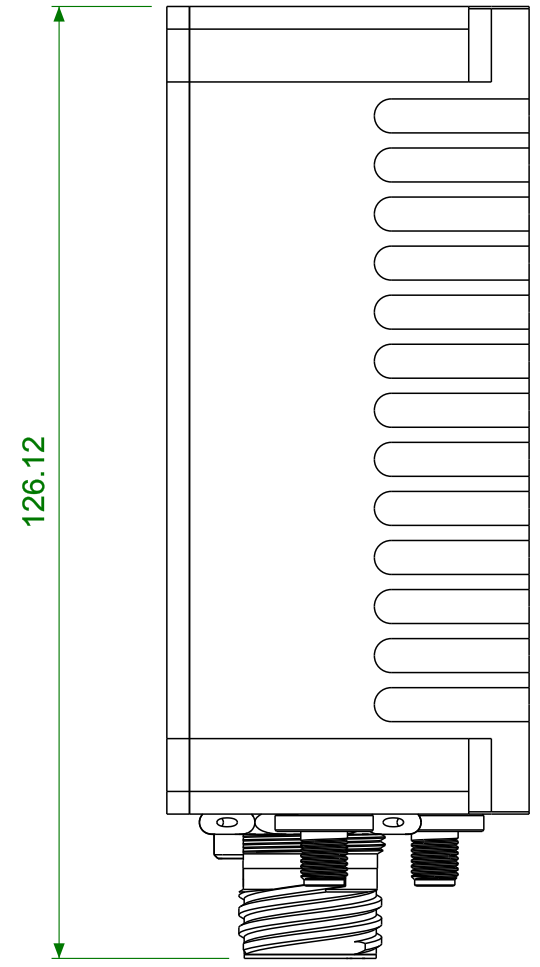


H G F E D C B A

4



3



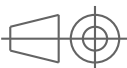

2

2

1

1

H G F E D C B A

First Angle Projection 			PROJECT BERLINK		 Digital Signal Processing © BERTEN DSP S.L.		
TOLERANCES X ± - X.X ± - X.XX ± 0.1 X.XXX ± - Angle° ± -			TITLE P6000 Transceiver				AUTHOR JDS
SCALE 1:1	UNITS mm	SIZE A3	PART NUMBER P6000		DATE 08/02/2019	VERSION 2.0	SHEET 1 of 1