

H G F E D C B A

4

3

2

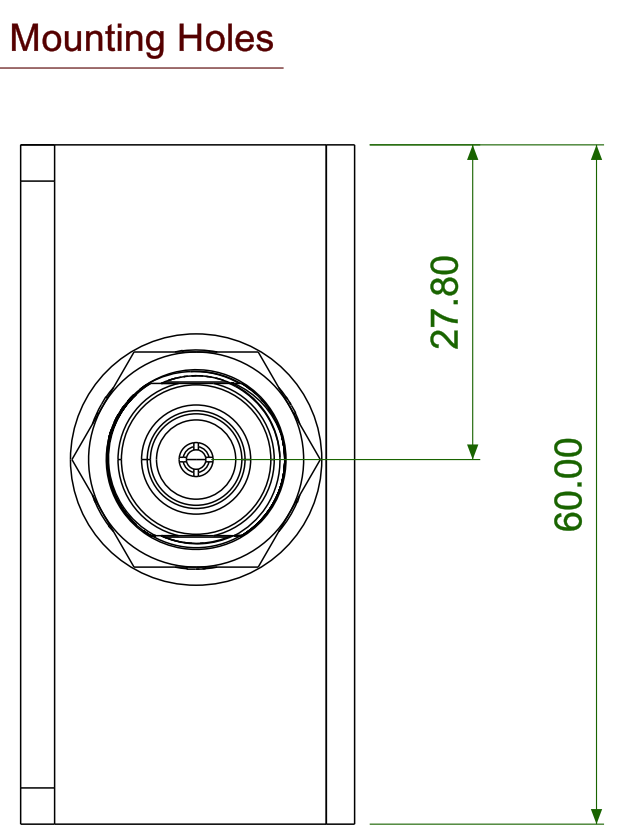
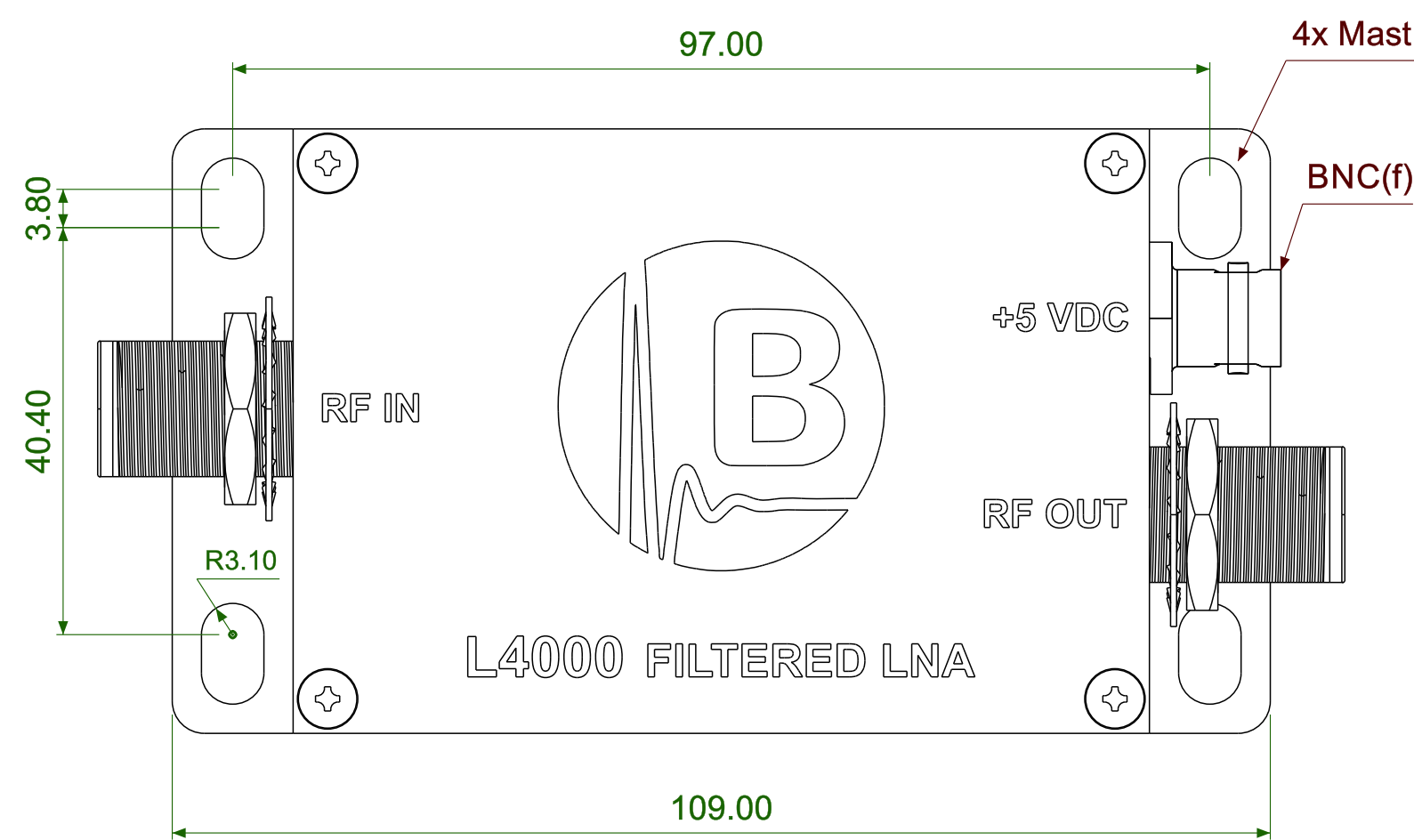
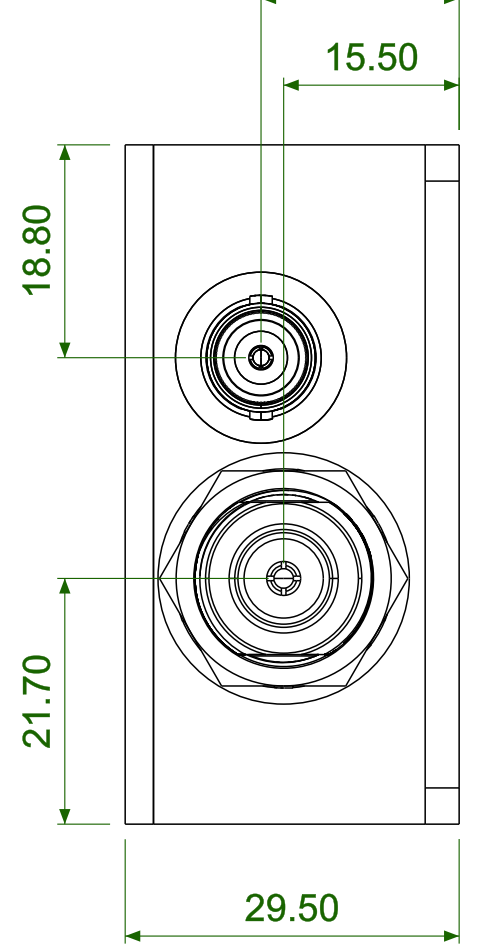
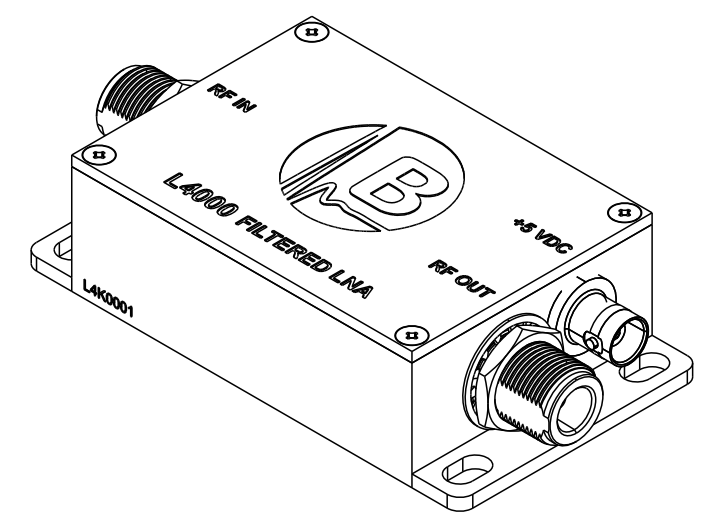
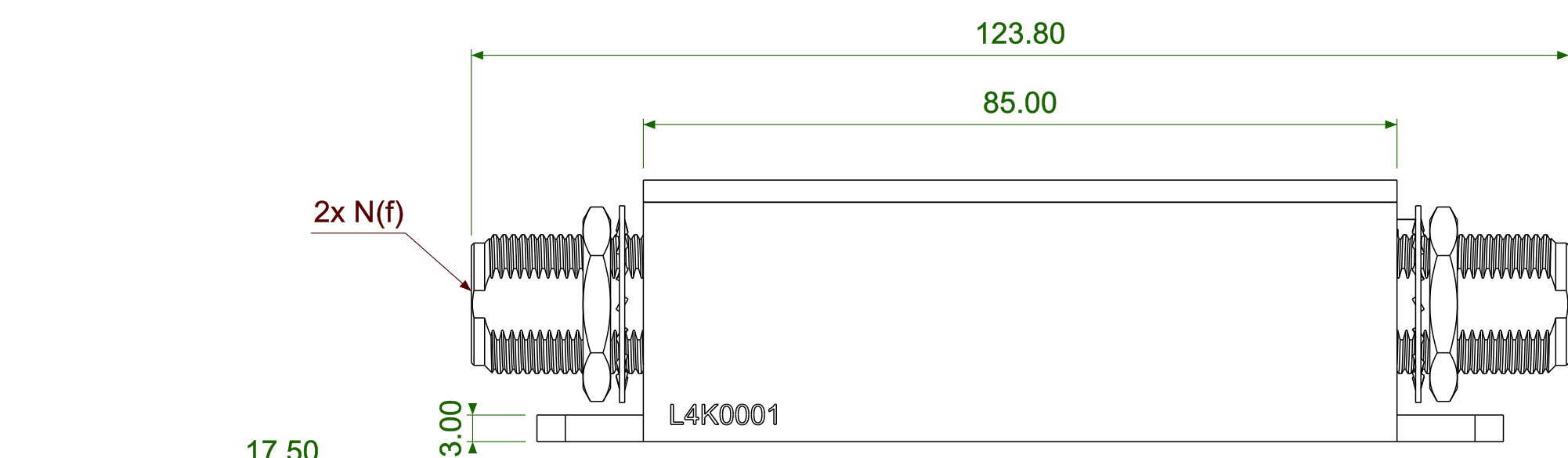
1

4

3

2

1



First Angle Projection			PROJECT BERLINK		 Digital Signal Processing © BERTEN DSP S.L.	
TOLERANCES X ± - X.X ± - X.XX ± 0.1 X.XXX ± - Angle° ± -			TITLE L4000 Filtered LNA			
SCALE	UNITS	SIZE	PART NUMBER	DATE	VERSION	SHEET
1.5:1	mm	A3	L4000	08/02/2019	1.0	1 of 1

H G F E D C B A