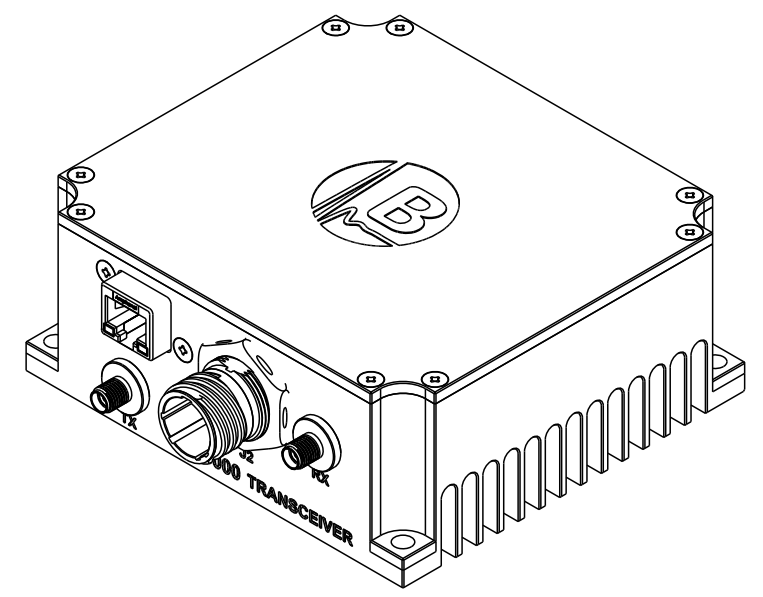
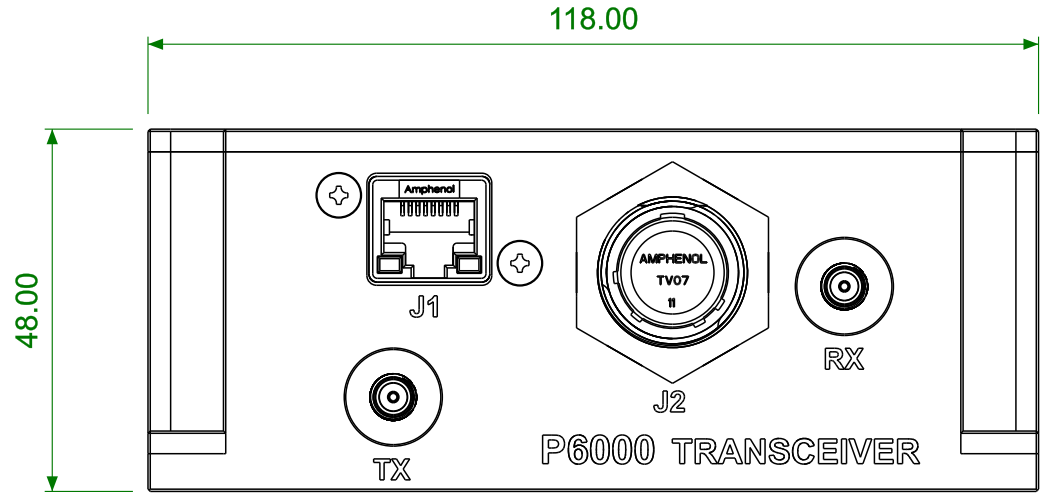


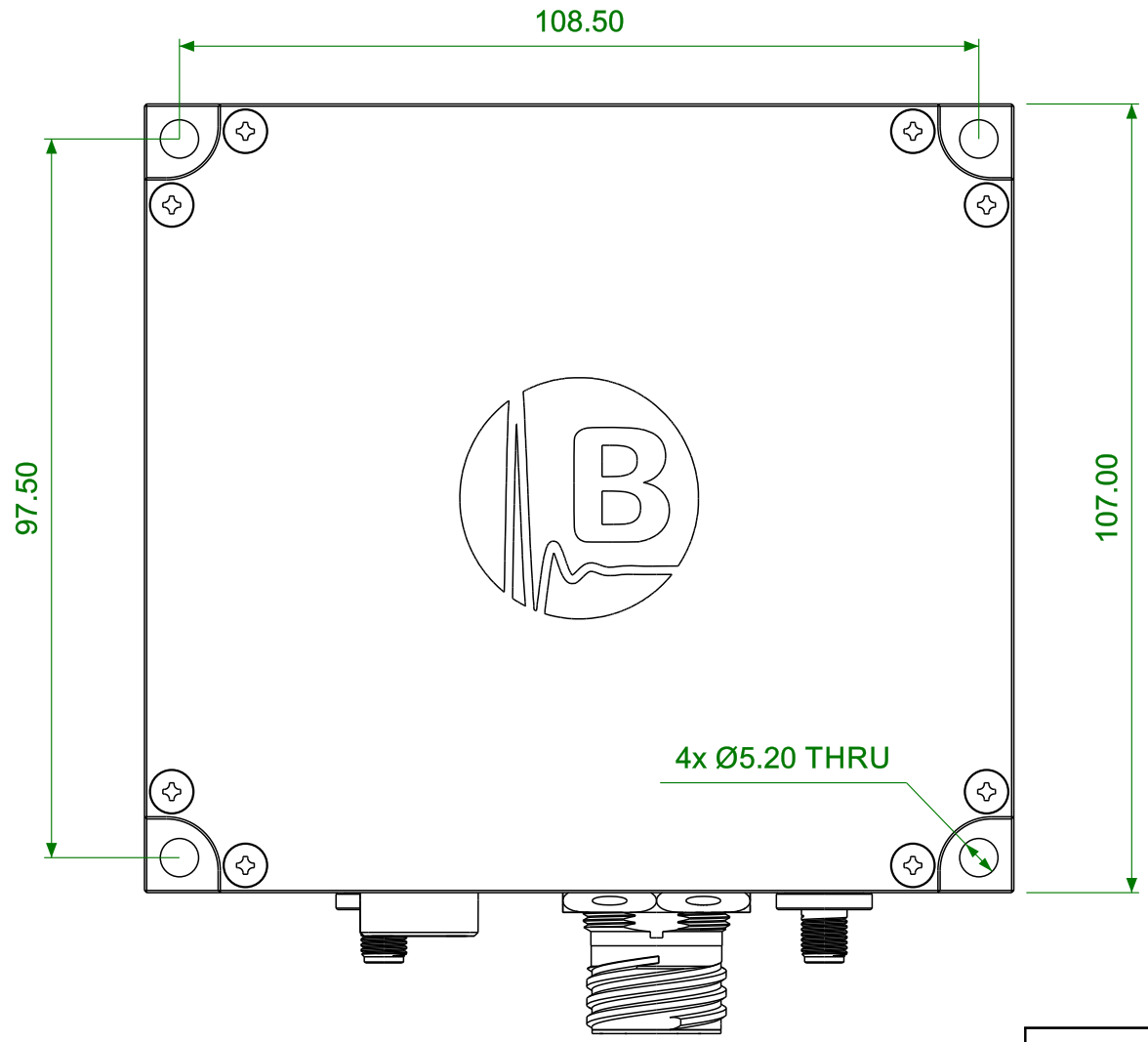
H G F E D C B A

4



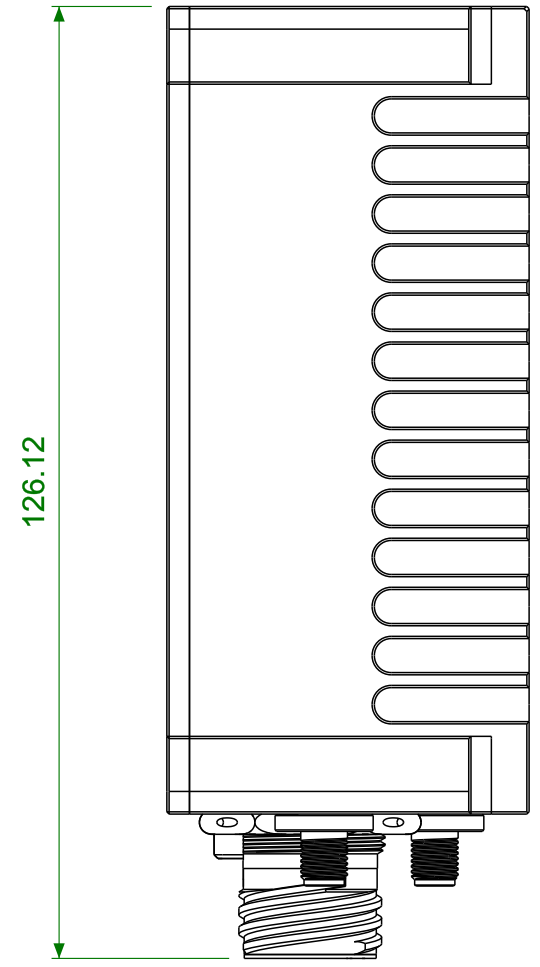
4

3



3

2



2

1

H G F E D C B A

First Angle Projection			PROJECT BERLINK		Digital Signal Processing © BERTEN DSP S.L.	
TOLERANCES X ± - X.X ± - X.XX ± 0.1 X.XXX ± - Angle° ± -			TITLE P6000 Transceiver		SECURITY Public	
SCALE 1:1		UNITS mm	SIZE A3	AUTHOR JDS	REVIEWER LBR	VERSION 2.2
PART NUMBER P6000			DATE 08/10/2019	SHEET 1 of 1		

1